

R-LOG

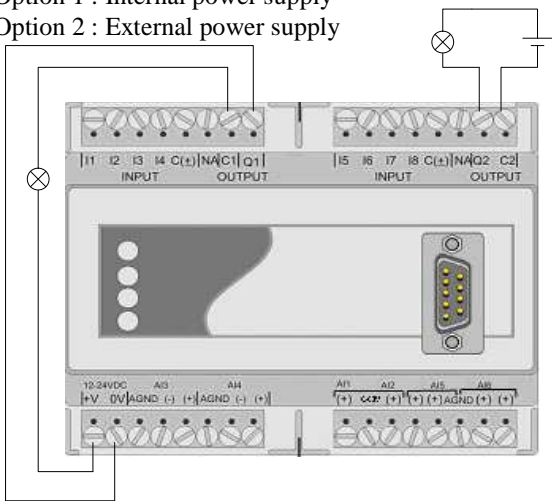
Put Yourself Ahead



RLOG specifications

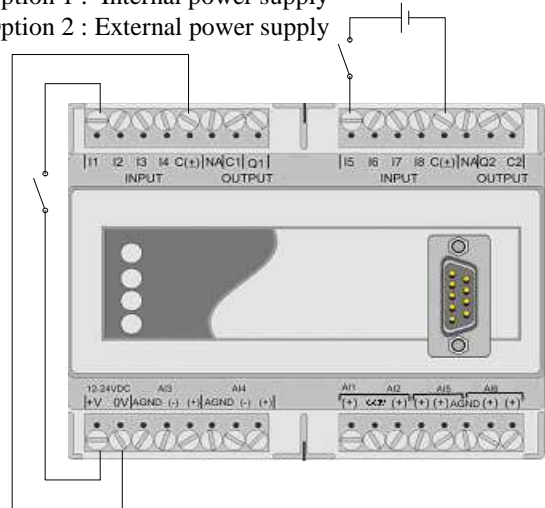
Cabling the R-LOG

Option 1 : Internal power supply
Option 2 : External power supply



Cabling a Light as a Digital Output
Each option can be at each output connection

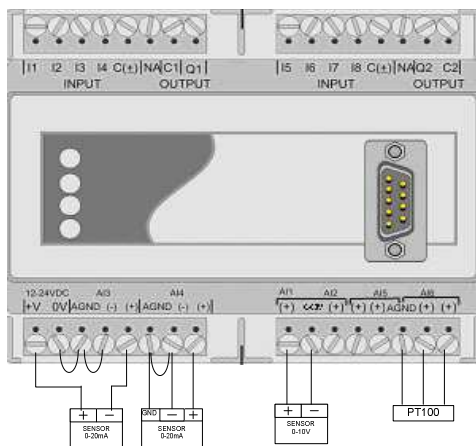
Option 1 : Internal power supply
Option 2 : External power supply



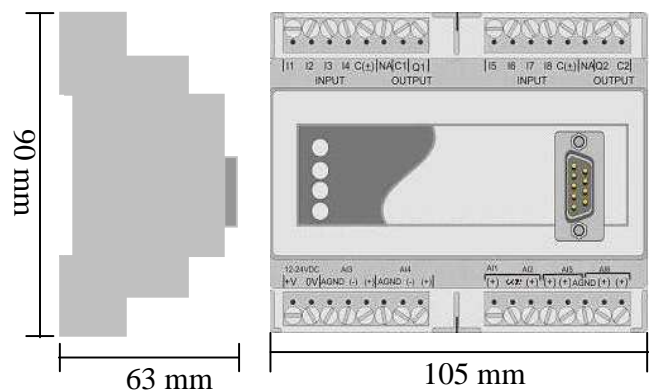
Cabling Digital Input
Each option can be at each digital input connection

Cabling Analog Inputs:

- 0-20mA sensors with 2 or 3 contacts
- 0-10V Sensor
- PT100 Sensor



R-LOG dimensions





Description	Specification
<i>HW interfaces</i>	
RS-232	One DB9 male (standard EIA)
Digital Inputs	8 (5-24VDC)
Analog Inputs	2 Current (0-20mA) 2 Voltage (0-10v) 2 Resistance (PT-100)
Digital Output	2 (Relay 5A)
Leds	4 yellow
<i>Physical Characteristic</i>	
Dimension	105X63X90mm
Weight	240gr
Cover	Rigid plastic – Lexan 920
Assembly	Appropriate for mounting On DIN 35mm Rail
<i>Power supply Specification</i>	
Power supply	12-24VDC
Maximum momentary power failure	10mS
Maximum power consumption	24 W (1A)
Typical power consumption	While transmit 1.8W no transmit 1.1W
Current consumption at 12V Continues	90mA
<i>Environment</i>	
Operating Temperature	-25°C to 55°C
Storage Temperature	-40°C to 85°C
Operating Humidity	5% to 95% Non - condensing



<u>Description</u>	<u>Specification</u>
<i>Protocols</i>	
PLC protocols	MODBUS, Matusushita, Unitronics, Omron, IZUMI and others
<i>Memory Specification</i>	
Total Size	2MB flash memory
Logger memory size	1.5MB from flash memory
Events memory size	0.4MB from flash memory
Internal use memory size	0.1MB from flash memory
Sample rate	1sec – 1 day
Period	5 days – 5 years
Download data methods	Email – via GPRS/SMTP GSM – via CSD session
Data structure	EXCEL file
<i>Voltage analog input Specification</i>	
Number of input	2
Resolution bit	10 bit (10mV)
Conversion speed	10mS
Input voltage	0-10VDC
Precision	2% (20mV)
Input impedance	619KΩ (10%)
Offset/Gain	Offset value- 0 at 0VDC GAIN value: 0-10V= 0-1024 / 65535

R-LOG Approvals : CE, EMC



<u>Description</u>	<u>Specification</u>
<i>Current analog input Specification</i>	
Number of input	2
Resolution bit	10 bit (0.02mA)
Conversion speed	10mS
Input voltage	0-20mA DC
Precision	2% (0.4mA)
Input impedance	200Ω (10%)
Offset/Gain	Offset value- 0 at 0mA GAIN value: 0-20mA=0-1024 / 65535
<i>PT100 analog input Specification</i>	
Number of input	2
PT100 range	(-20) - (80)
Isolation	None
Resolution bit	8 bit (0.3 Celsius degree)
Conversion speed	10mS
Precision	Worst case 0.4 Celsius degree
Input impedance	20kΩ
Connection options	Three (compensation) or two wires
<i>Cellular Network Interface</i>	
Band	Quad-Band EGSM 850/900/1800/1900 MHz
Protocols	CSD, SMS, GPRS class 10, Mobile station class B
Internal modem	Telit 864
Modem Approvals	Fully type approved according to R&TTE CE, GCF, FCC, PCTRB, IC
Technology	GSM network + SIM card



<u>Description</u>	<u>Specification</u>
<i>DC input Specification</i>	
Number of input	8
Number of com	2
Input voltage	12-24VDC
Input current	5 mA 24 VDC
Off→on	>5.2V
On→off	<4.2V
Response time	10mS
Frequency maximum	50Hz
Minimum pulse width	80μs
Isolation	Optocoupler
<i>Output Specification</i>	
Number of output	2
Output type	Relay for 0-30 VAC/VDC
Max resistive load	5A 30 VDC
Contact life cycle	100,000 operations minimum (contact rating)
Minimum load	150W
Maximum inductive load	1250 VA
Response time	6mS
Isolation	By relay 1G Ω