



## Key Features

- No Moving Parts
- Compact and Lightweight
- Low Maintenance
- Easy Installation
- Replaceable Temperature and Humidity Sensor
- Ultrasonic Wind Speed and Direction Sensor

## Specification

### Wind Speed and Direction Sensor

Using proven WindSonic technology.	
<b>Wind Speed</b>	
Range	0-60 m/s (116 knots)
Accuracy	± 2% @ 12 m/s
Resolution	0.01 m/s (0.02 knots)
<b>Wind Direction</b>	
Range	0 to 359° - no dead band
Accuracy	± 3° @ 12 m/s
Resolution	1°
<b>Measurement</b>	
Parameters	Wind Speed & Direction or U & V (vectors)
Units of Measure	m/s, knots, mph, kph, ft/min
<b>Anemometer Status</b>	
Message supplied as part of standard output	
<b>Environmental</b>	
Protection Class	IP65
Operating temperature	-35°C to +70°C
Storage Temperature	-40°C to +90°C
Operating Humidity	< 5% to 100% RH
EMC	EN 61326: 1998
<b>Outputs</b>	
Option 1	SDI-12
Option 2	Analogue, 0-5V

### Aspiration Shield

Six plate, naturally aspirated radiation shield, accepting probes up to 15mm in diameter	
<b>Specification</b>	
Radiation error (at 1080 Wm <sup>2</sup> intensity)	0.4°C RMS @ 3ms <sup>-1</sup>
	0.7°C RMS @ 2ms <sup>-1</sup>
	1.5°C RMS @ 1ms <sup>-1</sup>



The Gill MetPak is a compact and lightweight multi-sensor instrument that measures the most essential weather parameters. Gill ultrasonic technology, as used in the proven WindSonic instrument, measures wind speed and direction. Temperature and humidity are measured using industry standard probes housed in a naturally aspirated radiation shield. The instrument uses a rugged U-bolt mounting clamp that attaches to any vertical pipe up to 50mm diameter.

The instrument can be supplied with either a digital SDI-12 output or a four channel analogue output option, suitable to interface to industry standard data loggers. Low power consumption enables the instrument to be used in remote locations where power is at a premium. An electrical junction box is fitted to the mounting bracket allowing convenient termination of all electrical cables.

### Temperature and Humidity Sensors

Temperature and relative humidity probes are available, suitable for general meteorological and other data logging applications
<b>Option 1</b>
<b>CS215</b> Temperature and relative humidity probe from Campbell Scientific with digital SDI-12 output. Temperature measurement range -40°C to +70°C Relative humidity range 0 to 100% RH Field changeable element allows fast on site calibration. For full specification go to manufacturer's website <a href="http://www.campbellsci.com">www.campbellsci.com</a>
<b>Option 2</b>
<b>HYDROCLIP S3</b> Temperature and relative humidity probe from Rotronic with two analogue voltage outputs 0-1V for -40°C to +60°C and 0 to 100% RH. Changeable element allows for calibration. For full specification go to manufacturer's website <a href="http://www.rotrotron.com">www.rotrotron.com</a>

### Complete Assembly

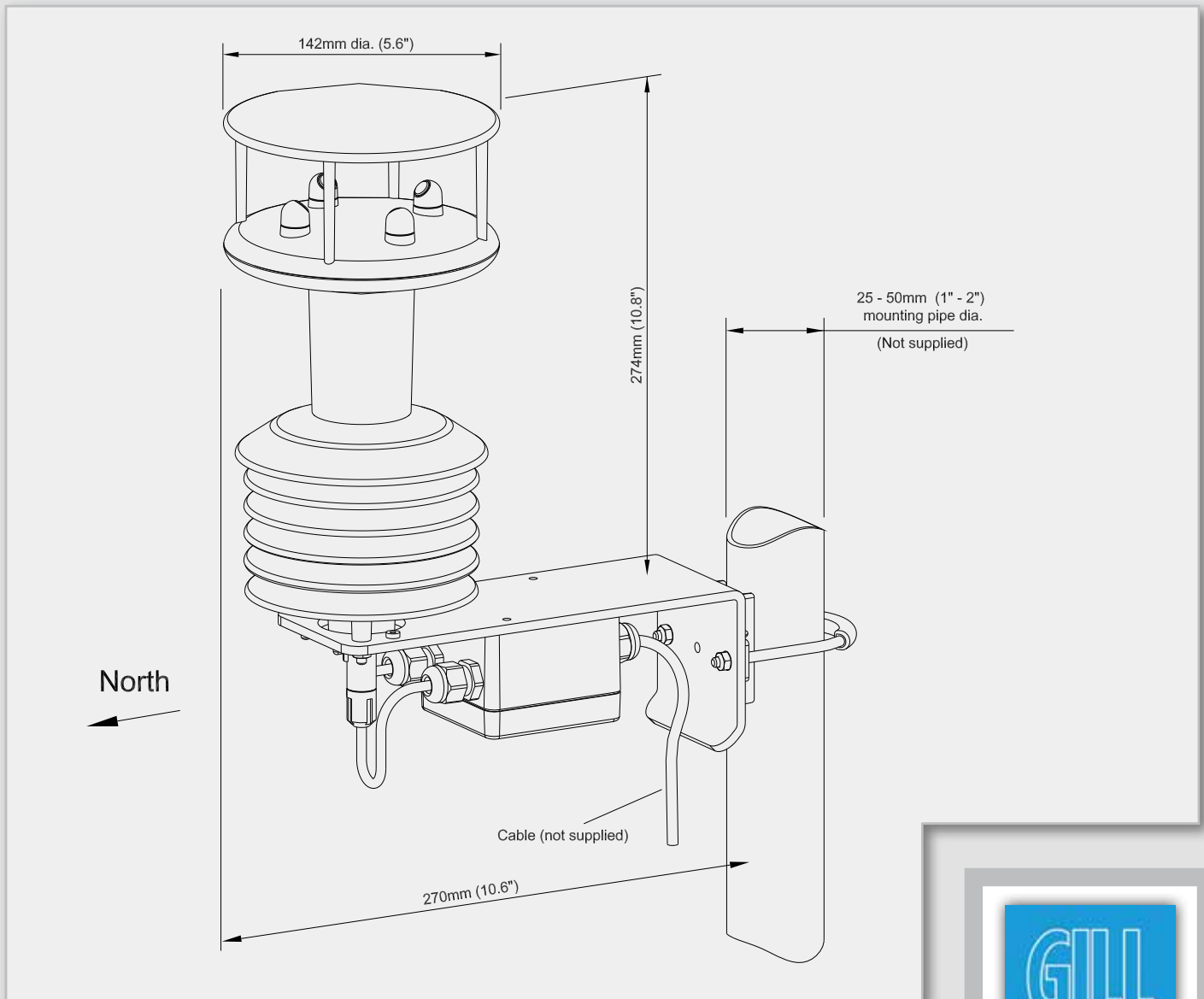
<b>Material</b>	
White thermoplastic UV-stabilized for long term weather resistance. Gloss white painted aluminium mounting bracket (with moulded plastic V-block and stainless steel U-bolt) which allows it to be attached to a vertical pipe of any diameter between 25mm and 50mm.	
<b>Power Requirement</b>	
Option 1	9-16V dc @ 22mA typical
Option 2	10-28V dc @ 28mA typical
<b>Size and Weight</b>	
Size	142mm dia x 274mm height (instrument) 270mm x 380mm including bracket
Weight	1.1 kg (including bracket)

## Typical Applications

- Automatic Weather Stations
- Transport Safety
- Environmental Monitoring and Control
- Sports Events
- Agricultural
- Ports and Harbours



## Dimensions



The MetPak is part of the Solent range of ultrasonic anemometers.  
The range is in continuous development and therefore specifications may be subject to change without prior notice.

